

PART NUMBER: **OUT-RDB-16N**

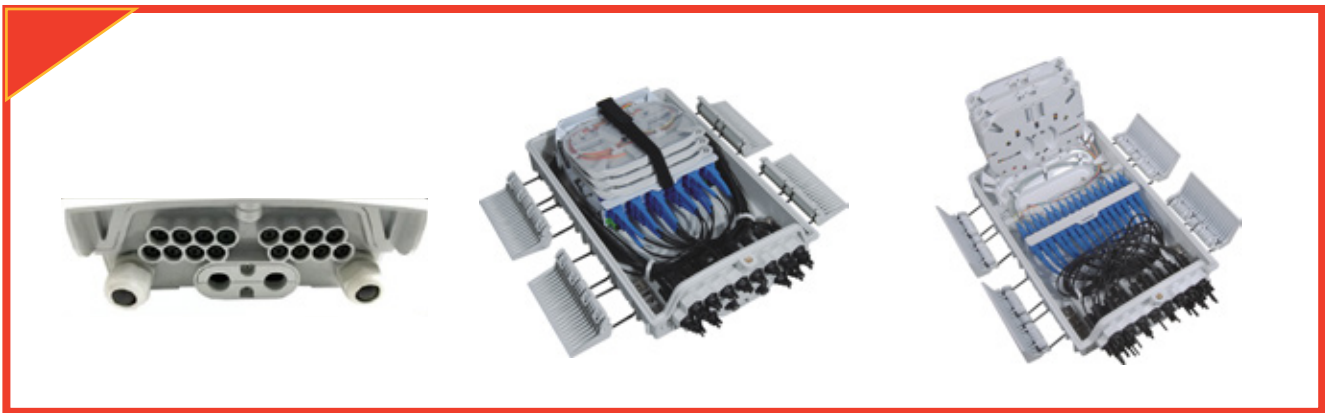
## RADIAL DISTRIBUTION BOX



This box is widely used as a termination point for the feeder cable, to be connected with drop cables.

The feeder cable can be installed also as "loop" configuration.

The box can be used as splicing, splitting or distribution point. It is ideal in FTTH network building. It can be used indoor or outdoor.



## FEATURES

- Structure totally closed.
- Material: PC+ABS, wet-proof, water-proof, dust-proof, anti-aging, protection level up to IP65.
- Clamping for feeder cable and drop cable, fiber slicing, fixation, storage, distribution...etc all in one.
- Cable, pigtails, patch cords are running through own path without disturbing each other.
- It can accept SC / LC duplex adapters and PLC installation.
- Splicing trays can be flipped up, easy for maintenance and installation.
- Feeder cable can be placed oval port and it can do loop.
- It can be installed by wall-mounted or pole-mounted, suitable for both indoor and outdoor uses.

## TECHNICAL SPECIFICATION

### Environmental requirement

Working temperature :  $-40^{\circ}\text{C} \sim +85^{\circ}\text{C}$

Relative humidity :  $\leq 85\%$  ( $+30^{\circ}\text{C}$ )

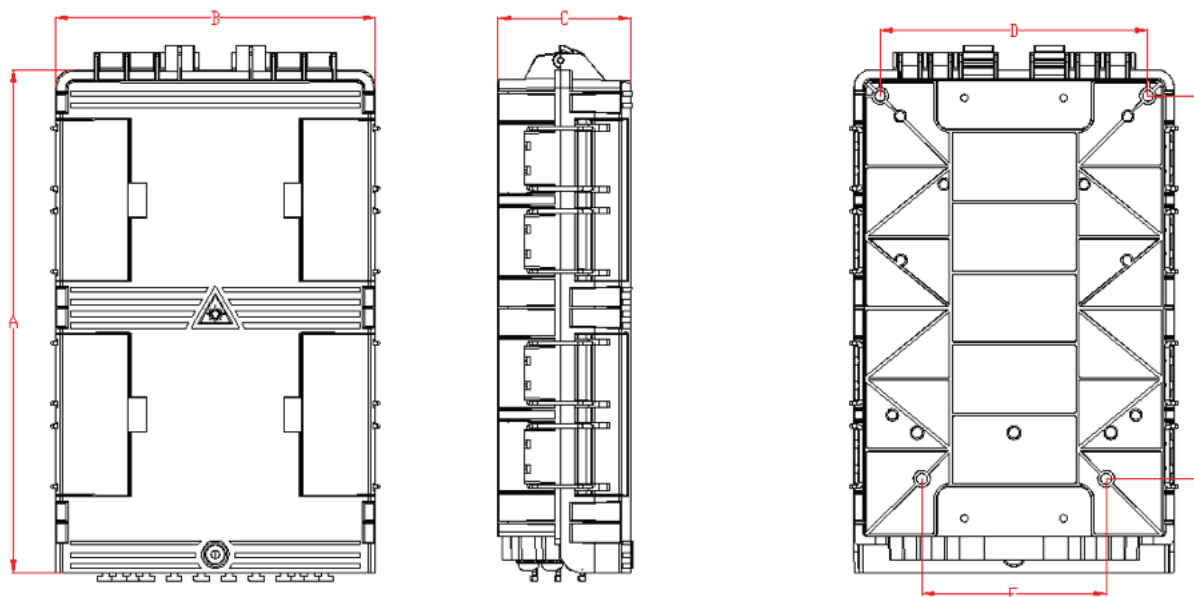
Atmospheric pressure :  $70\text{KPa} \sim 106\text{Kpa}$

### Thunder-proof

The grounding device is isolated with the cabinet, isolation resistance is less than  $2\text{M}\Omega/500\text{V}$  (DC) ;  $IR \geq 2\text{M}\Omega/500\text{V}$

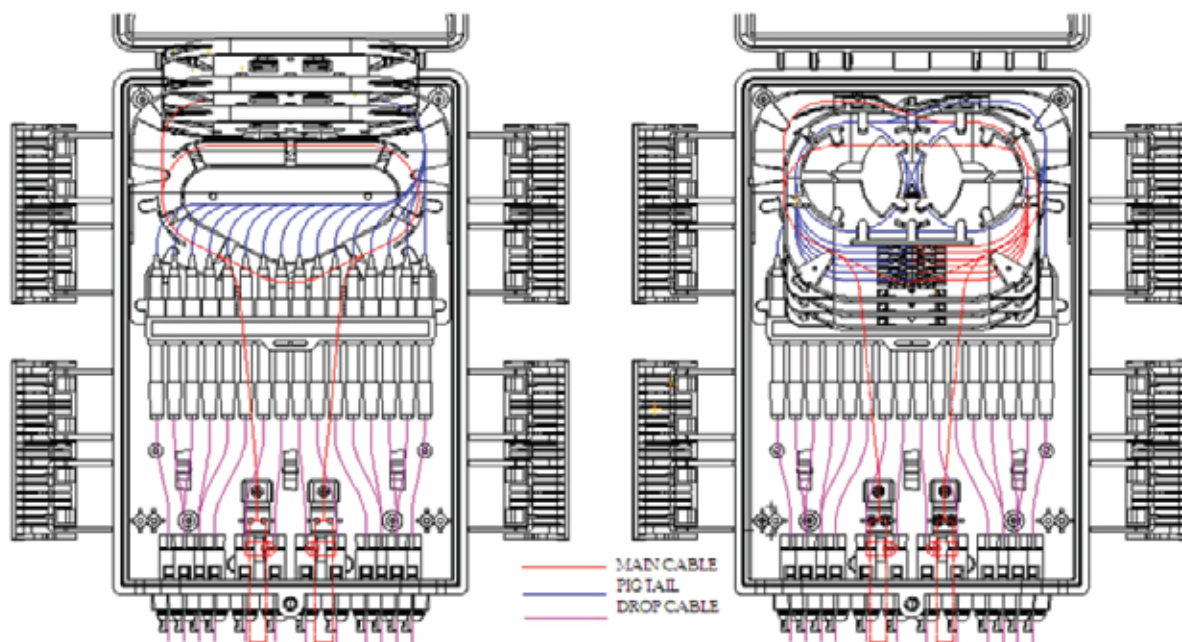
The withstand voltage between grounding device and cabinet is no less than  $3000\text{V}$  (DC) /min, no puncture, no flashover ;  $U \geq 3000\text{V}$

PART NUMBER: **OUT-RDB-16N**

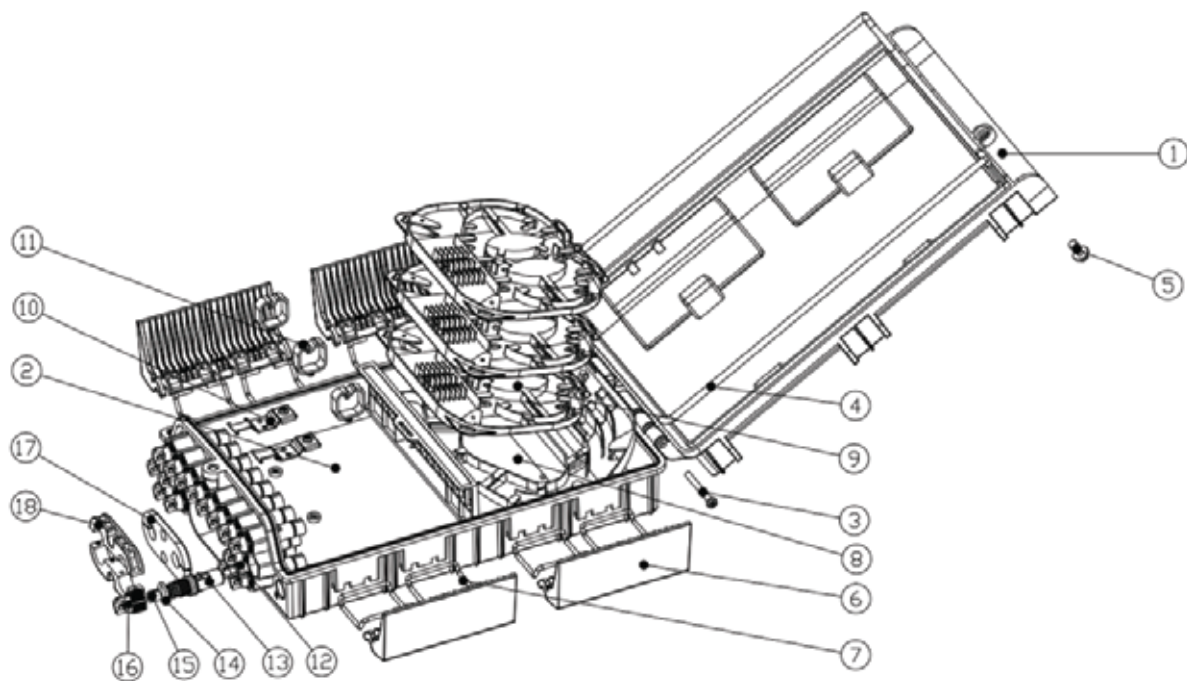


Size A*B*C(mm)	Max Capacity			Installation Size D*E*F (mm)	Cable entries	
	SC	LC	PLC		Main cable max dia.	Drop cable max dia.
330*210*87	16	32	3	175.5*121*250	12mm	3mm

Structure and cable ways :



PART NUMBER: **OUT-RDB-16N**



- |                                       |                                      |
|---------------------------------------|--------------------------------------|
| 1. 16N Lid ;                          | 10.16H fiber fixer ;                 |
| 2. 16N Base ;                         | 11.030 Loop ring ;                   |
| 3.connecting screw ;                  | 12.16N Drop cable clip ;             |
| 4.rubber seal ;                       | 13. 16N Drop cable clip sleeve ;     |
| 5. Locked bolt ;                      | 14. 16N water proof gasket ;         |
| 6. GFS-16G door clip;                 | 15. 16N silicon blocker ;            |
| 7. 16G door clip connecting bracket ; | 16. 16N Drop cable clip sleeve hat ; |
| 8. 16M assembling plate ;             | 17. E type link-2;                   |
| 9. 16N splicing cassette ;            | 18. E type link -1                   |

