

part number: OUT-RDB-24N-2

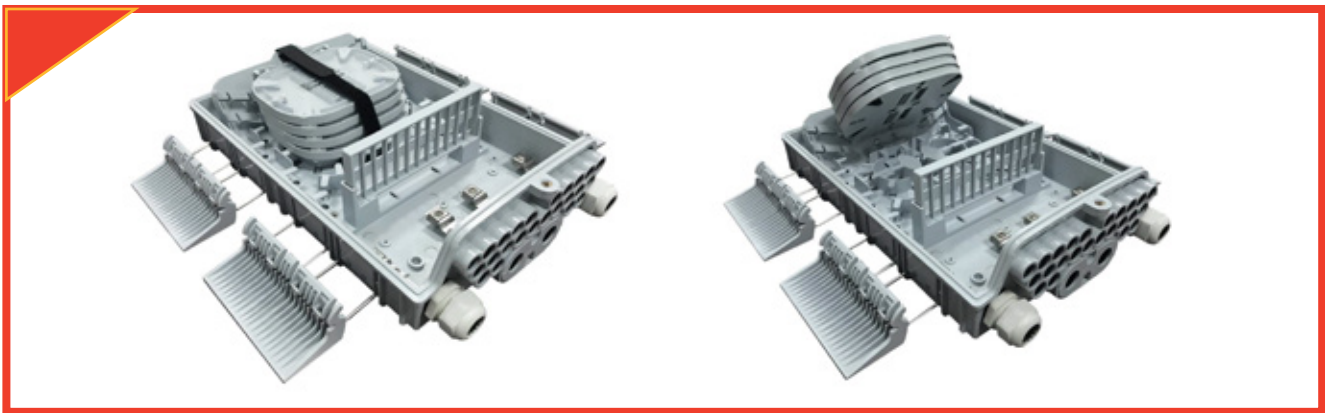
RADIAL DISTRIBUTION BOX



This box is widely used as a termination point for the feeder cable, to be connected with drop cables.

The feeder cable can be installed also as "loop" configuration.

The box can be used as splicing, splitting or distribution point. It is ideal in FTTH network building. It can be used indoor or outdoor.



FEATURES

- Structure totally closed.
- Material: PC+ABS, wet-proof, water-proof, dust-proof, anti-aging, protection level up to IP65.
- Clamping for feeder cable and drop cable, fiber slicing, fixation, storage, distribution...etc all in one.
- Cable, pigtails, patch cords are running through own path without disturbing each other.
- It can accept SC / LC duplex adapters and PLC installation.
- Splicing trays can be flipped up, easy for maintenance and installation.
- Feeder cable can be placed oval port and it can do loop.
- It can be installed by wall-mounted or pole-mounted, suitable for both indoor and outdoor uses.

TECHNICAL SPECIFICATION

Environmental requirement

Working temperature : $-40^{\circ}\text{C} \sim +85^{\circ}\text{C}$

Relative humidity : $\leq 85\%$ ($+30^{\circ}\text{C}$)

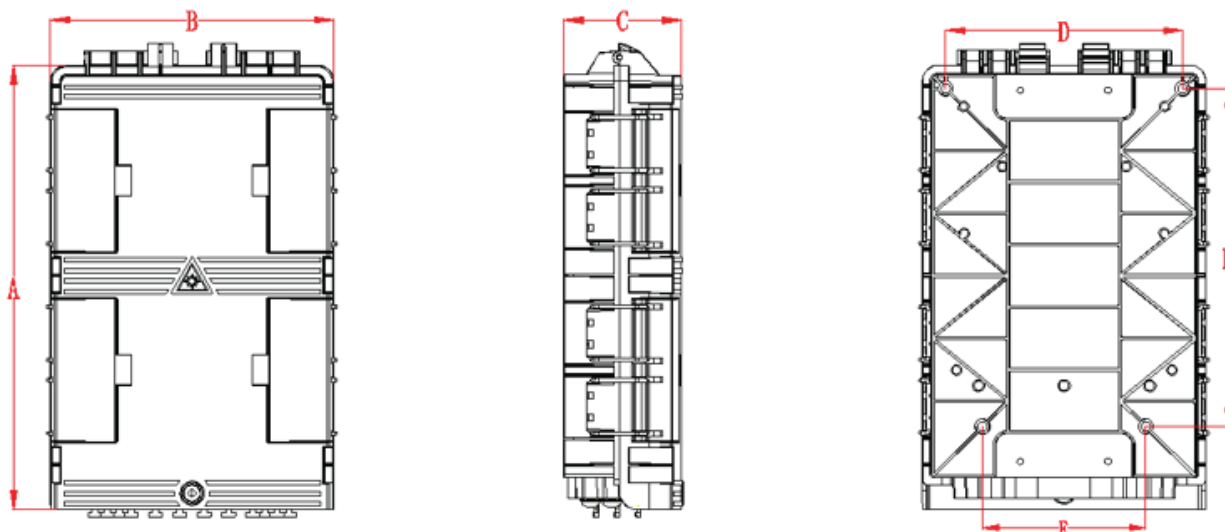
Atmospheric pressure : $70\text{KPa} \sim 106\text{Kpa}$

Thunder-proof

The grounding device is isolated with the cabinet, isolation resistance is less than $2\text{ M}\Omega/500\text{V}$ (DC) ; $IR \geq 2\text{ M}\Omega/500\text{V}$

The withstand voltage between grounding device and cabinet is no less than 3000V (DC) /min, no puncture, no flashover ; $U \geq 3000\text{V}$

part number: **OUT-RDB-24N-2**



Size	Max Capacity			Installation Size	Cable entries	
	SC	LC	PLC		Main cable max dia.	Drop cable max dia.
A*B*C(mm)	24	48	3	D*E*F (mm)	12mm	3mm
330*210*87				175.5*121*250		

