

part number: **OUT-RDB-4A**

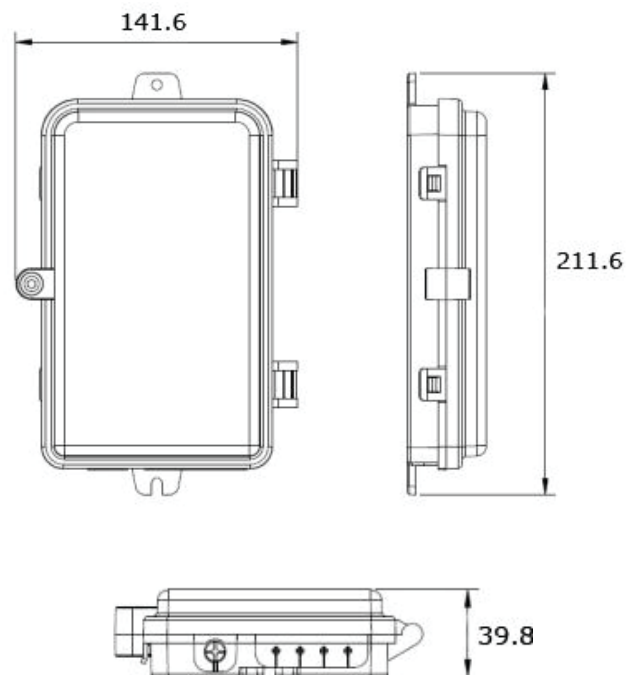
RADIAL DISTRIBUTION BOX



This box is widely used as a termination point for the feeder cable, to be connected with drop cables.
The box can be used as splicing, splitting or distribution point.
It is ideal in the FTTH network building.
It can be used indoor or outdoor.

FEATURES

- Structure totally closed.
- Material: PC+ABS, wet-proof, water-proof, dust-proof, anti-aging, protection level up to IP65.
- Clamping for feeder cable.
- Pigtails are running through own path without disturbing each other.
- It can accept SC or LC Duplex Adapters.
- Locked with key
- Input cable port diameter 7/10mm
- Outputs cable port diameter 3mm.



TECHNICAL SPECIFICATION

Size W*H*D(mm)	Max Capacity		
	SC	LC	PLC
141,6*211,6*39,8	4	8	1x4