



CODE: WO-DIRECT-SCA-YY-XXM (XX will be according to the length, ex: "32M" will be for 32 meters)

CODE: WO-DIRECT-LCA-YY-XXM (YY will be according to the presence of metal reinforcement in the cord B; ex: "AR" stands for armoured, "NA" stands for not armoured)

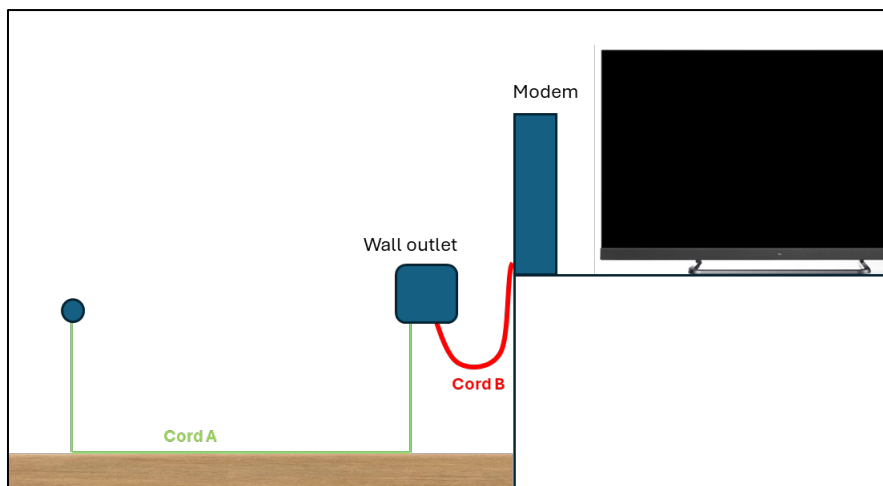
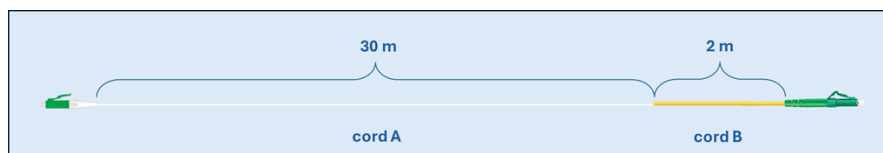


PRODUCT DATA

| | |
|-------------------|----------|
| MATERIAL | ABS |
| HEIGHT (B) | 92 mm |
| LENGHT (A) | 92 mm |
| DEPTH (C) | 34 mm |
| COLOR | RAL 9016 |
| FLAMABILITY GRADE | UL94 V0 |

PRODUCT DESCRIPTION

Fiber wall outlet with a "special" LC (or SC)/APC 32/42 meters patch cord. The patch cord consists of two parts: one part is 30 meters of fiber with a diameter of 0.9 mm (for the connection to the flat outlet) and the other part has a diameter of 2 mm (for the connection to the ONT/modem/router). The 0,9 mm diameter part of the patch cord (cord A) is coiled up inside the outlet on a rotating spool that allows it to be stored inside the outlet as well as unwound to the outside. The 2mm diameter part of the patch cord (cord B) with its metal armouing, is wound onto the top of the reel. This can be easily collected and unwound by turning the transparent wheel.

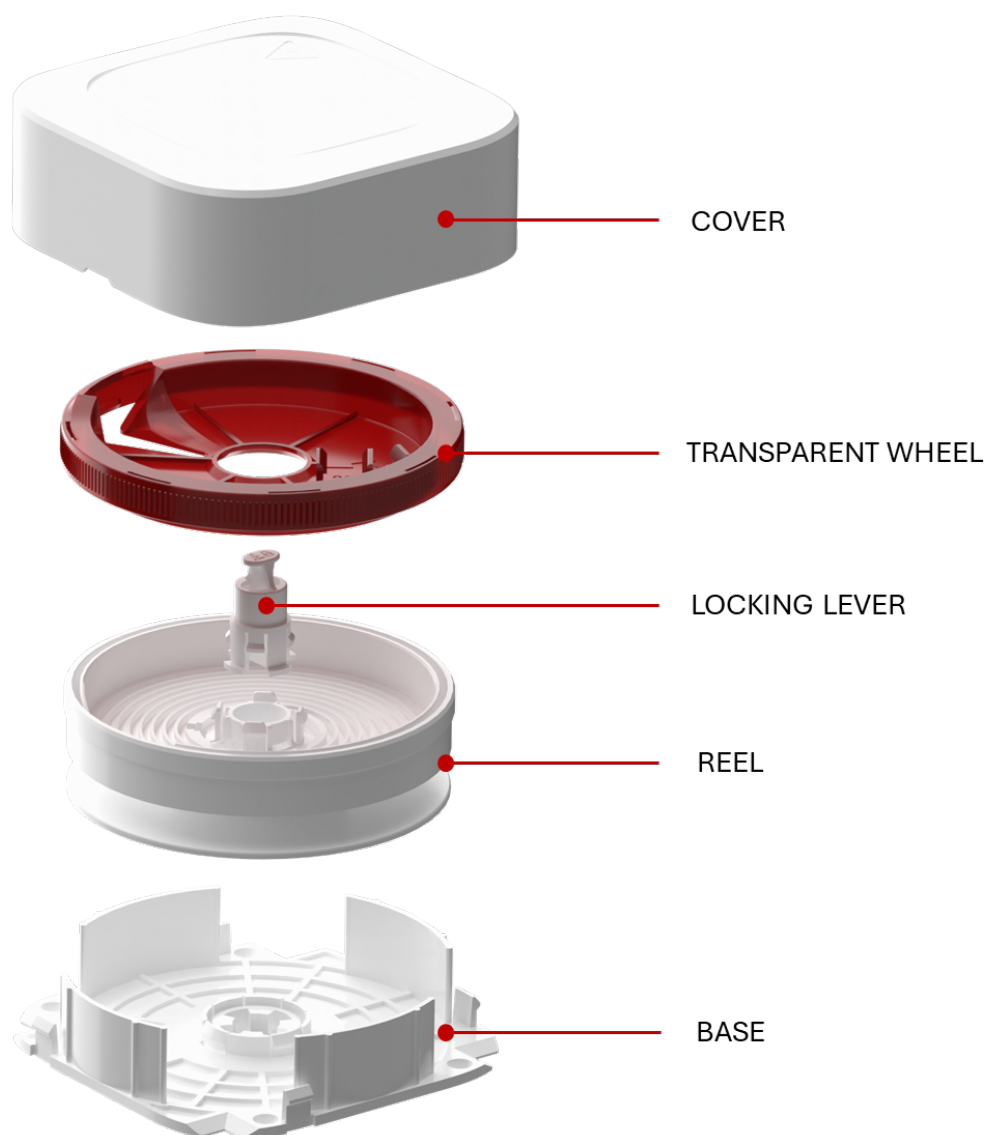




PRODUCT FEATURES:

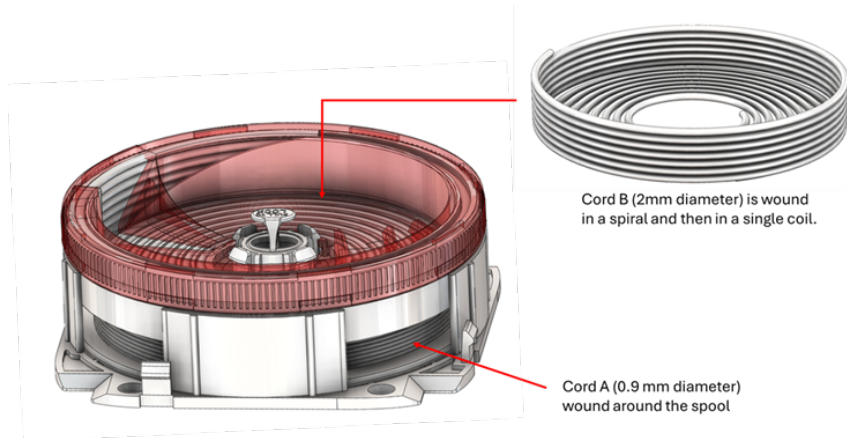
- 4 outputs on each corner compatible with 4/5mm Silway® system
- Transparent PA12 Raw material 900 µm diameter jacket patch cord fiber ITU-T G.657 A2 (cord A)
- White LSZH armored 2mm diameter jacket patch cord fiber ITU-T G.657 A2 (cord B)
- 32/42-meters patch cord fiber available
- SC-APC and LC-APC patchcord available
- Cord B available with or without armored sheath
- Possibility to lock/unlock the reel rotation
- Possibility of wound up and unwound the cord B easily by turning the transparent wheel.
- Accessories kit for wall mounting (2 pcs screw and 2 pcs wall plug)
- Wall mounting option with double-sided adhesive tape
- Material ABS UL94-V0
- IZOD impact resistance ≥ 20 N/m (EN ISO 180:2013)

COMPONENTS:

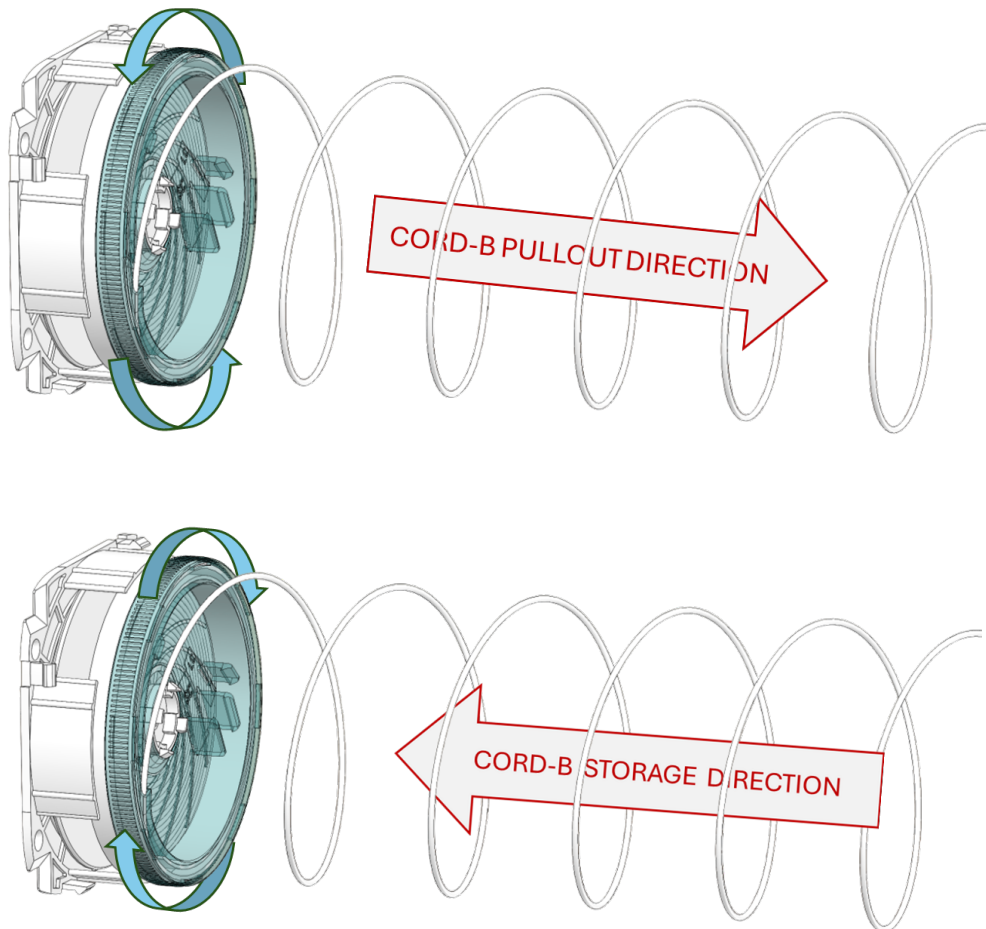




INNOVATIVE FRAMEWORK FOR CABLE STORAGE:

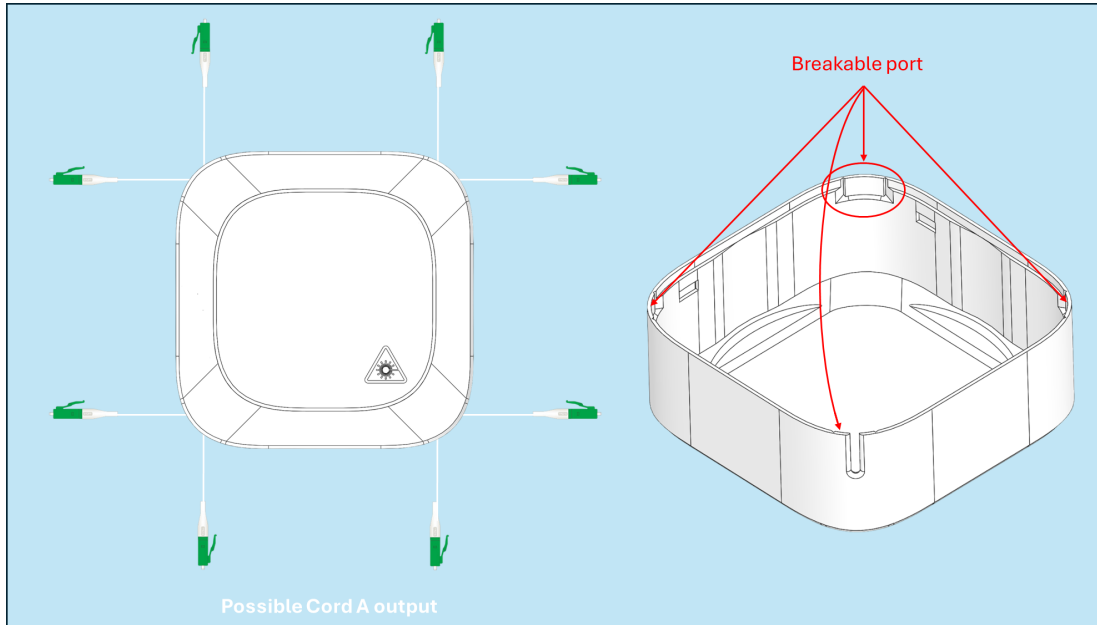


POSSIBILITY TO WOUND UP AND UNWOUND THE CORD B BY TURNING THE TRANSPARENT WHEEL:

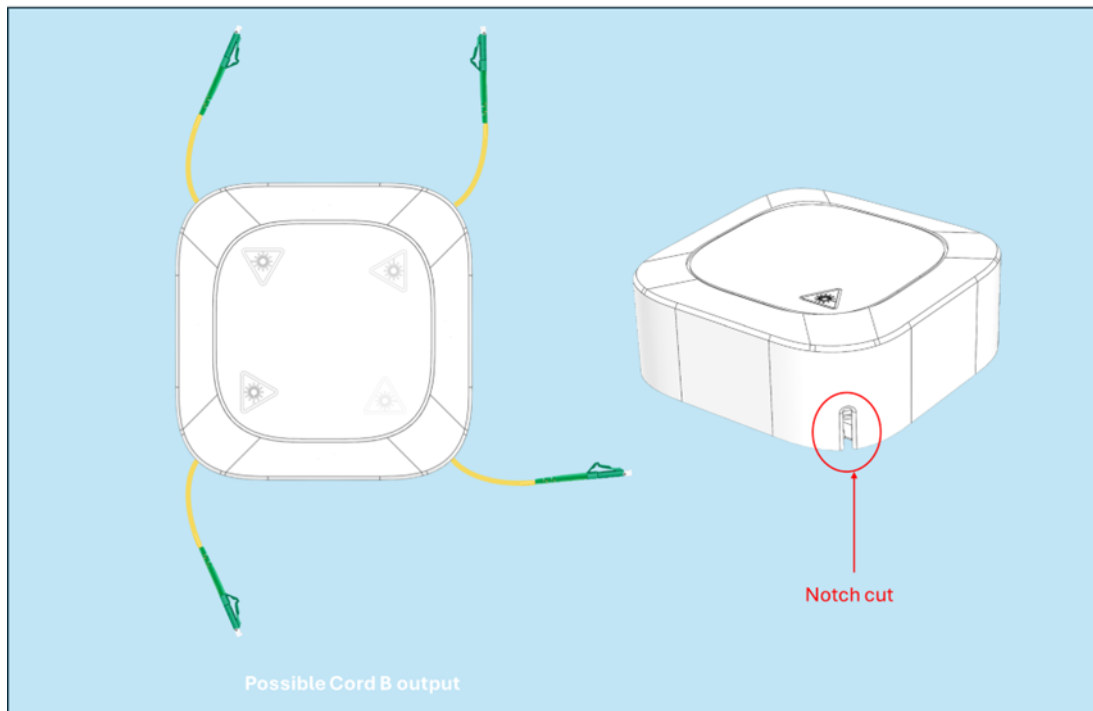




8 DIFFERENT OUTPUTS LAYOUT FOR THE CORD A:

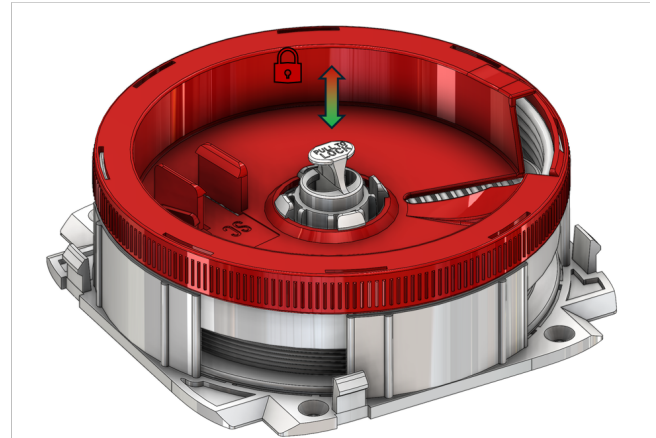
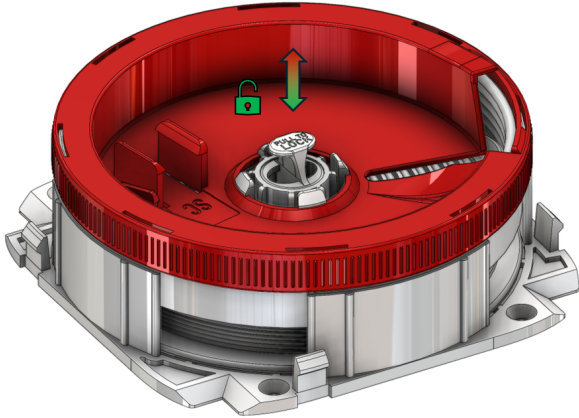


FOUR DIFFERENT CORD B OUTPUT LAYOUT:





POSSIBILITY TO LOCK/UNLOCK REEL ROTATION THANKS TO THE LOCKING LEVER:



DRAWINGS:

